



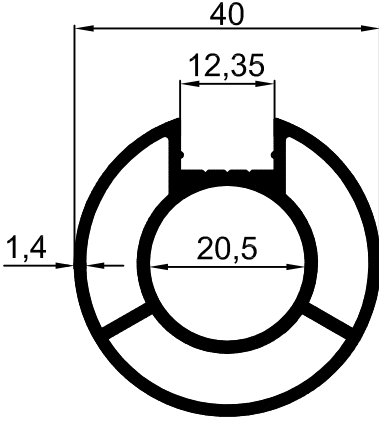
DEMİRTAŞ METAL
ALÜMİNYUM PROFİL SAN. ve TİC. A.Ş.

KÜPEŞTE PROFİLLERİ

HANDRAIL PROFILES

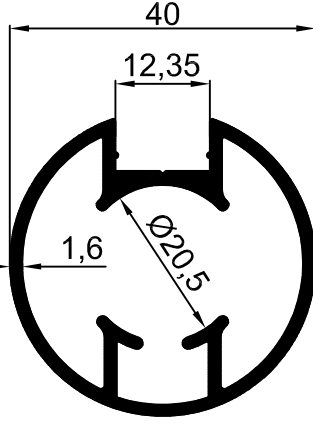
NO :94-2142

0,840 Kg.m.



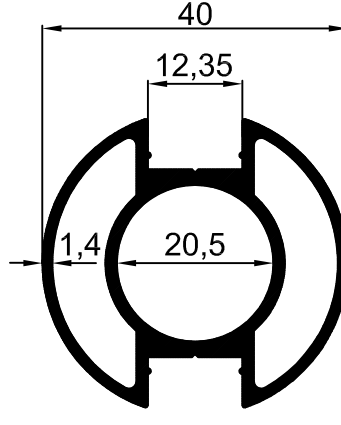
NO : 94-1778

0,725 Kg.m.



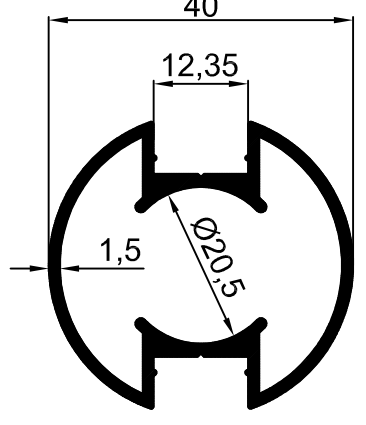
NO : 94-358

0,870 Kg.m.



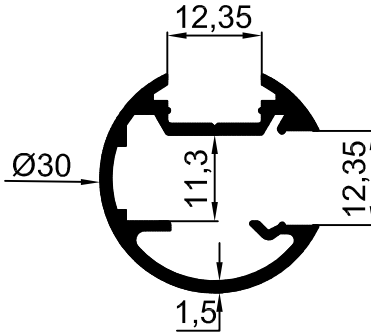
NO : 94-1578

0,725 Kg.m.



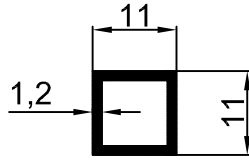
NO :94-2529

0,435 Kg.m.



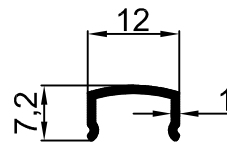
NO :94-2530

0,130 Kg.m.



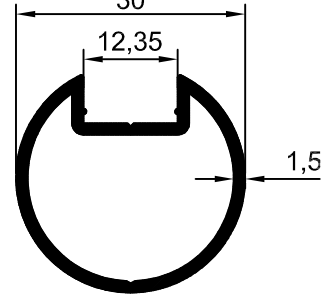
NO : 94-359

0,060 Kg.m.



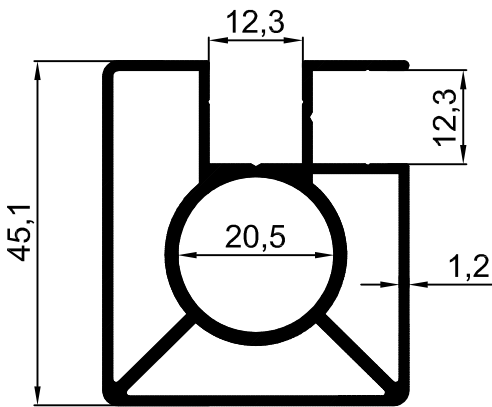
NO :94-2435

0,405 Kg.m.



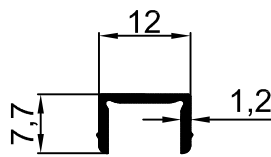
NO :94-2088

1,015 Kg.m.



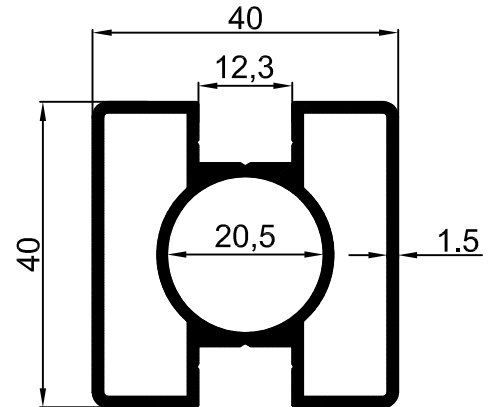
NO :94-2091

0,075 Kg.m.



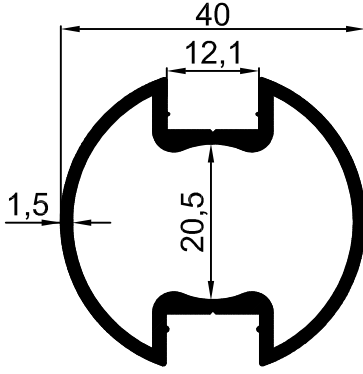
NO :94-2089

0,980 Kg.m.

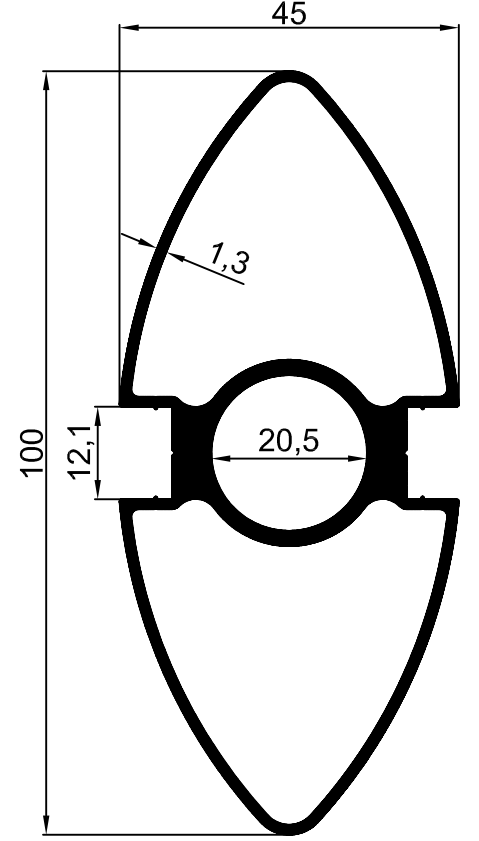
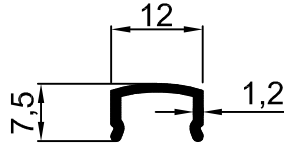


NO :94-2050
1,425 Kg.m.

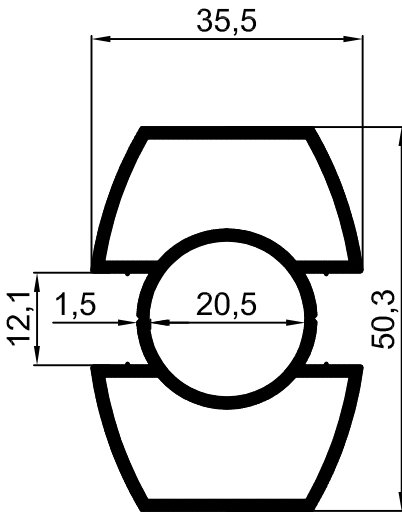
NO :94-2001
0,670 Kg.m.



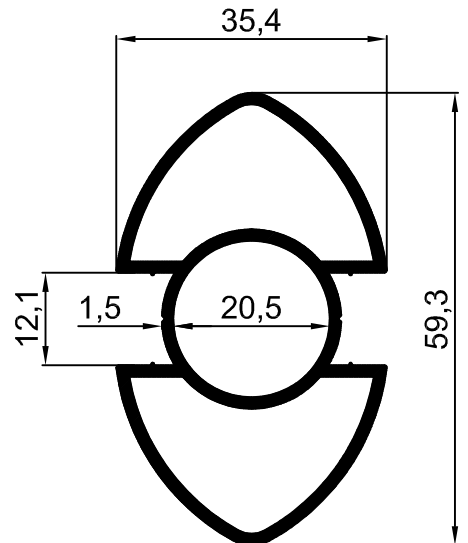
NO : 94-1788
0,070 Kg.m.



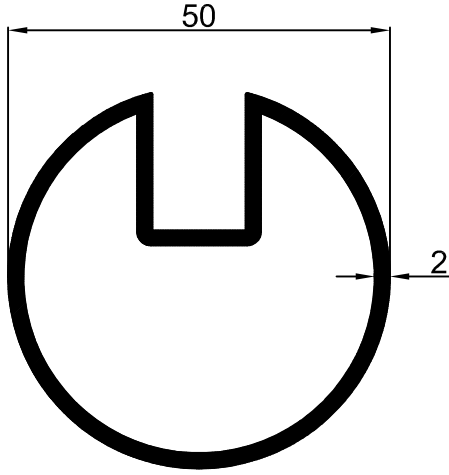
NO : 94-1789
0,880 Kg.m.



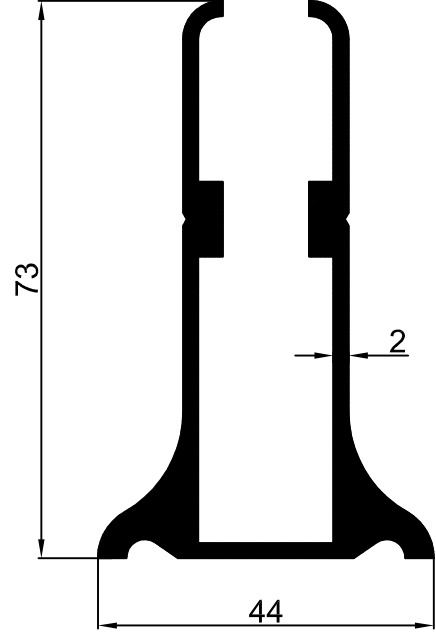
NO :94-2350
0,875 Kg.m.



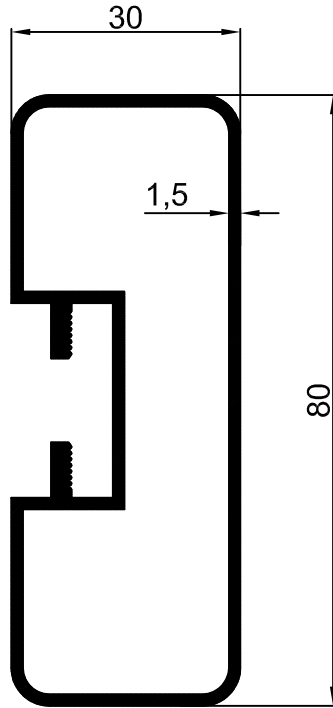
NO :94-2437
1,000 Kg.m.



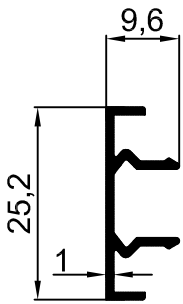
NO :94-2436
1,500 Kg.m.



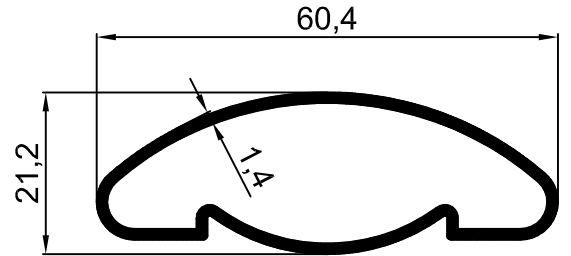
NO :94-2407
1,050 Kg.m.



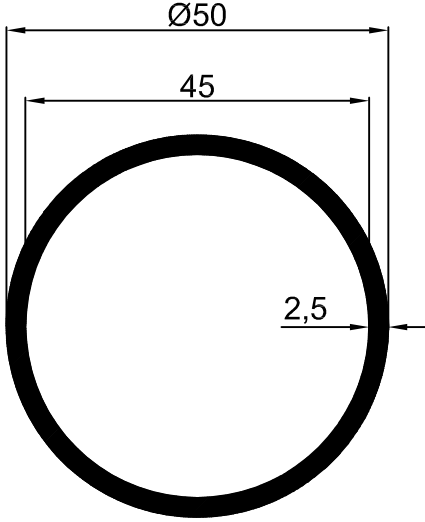
NO :94-2408
0,150 Kg.m.



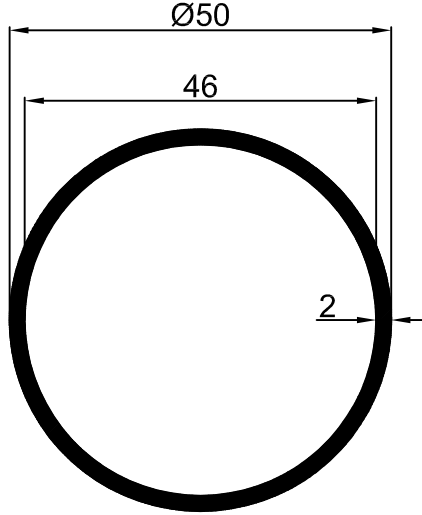
NO :94-2426
0,530 Kg.m.



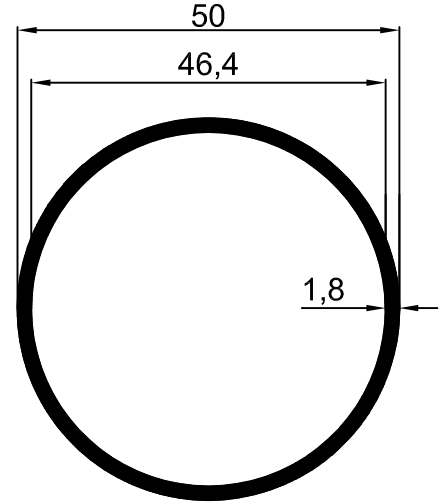
NO : 94-377
1,010 Kg.m.



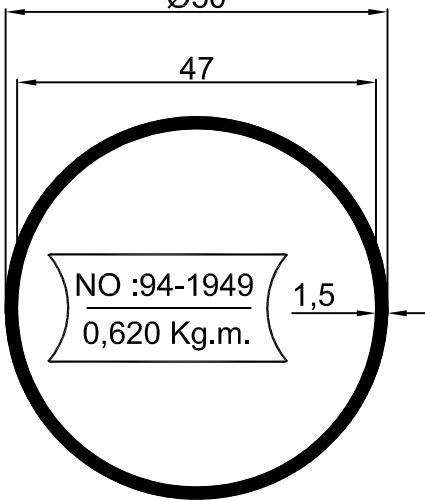
NO : 94-1154
0,810 Kg.m.



NO :94-2524
0,740 Kg.m.

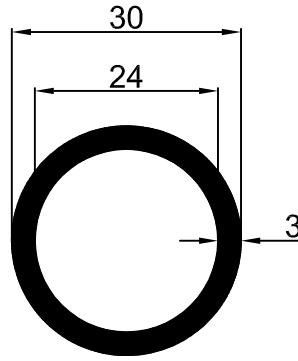


Ø50

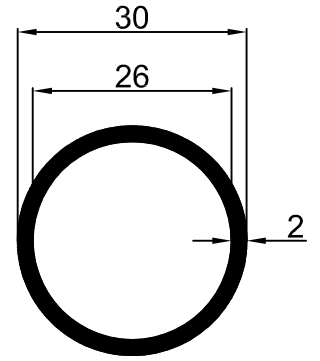


NO :94-1949
0,620 Kg.m.

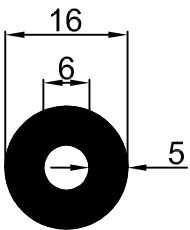
NO : 94-1618
0,690 Kg/m



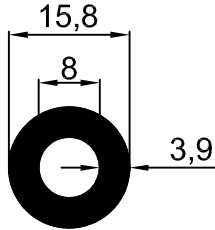
NO : 94-1418
0,475 Kg.m.



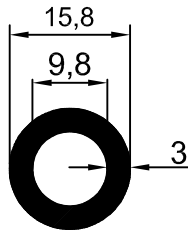
NO : 94-376
0,470 Kg.m.



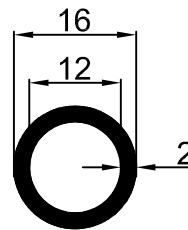
NO : 94-1785
0,395 Kg.m.



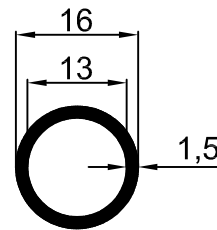
NO :94-2286
0,325 Kg.m.



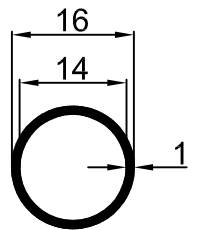
NO : 94-233
0,240 Kg.m.



NO :94-2565
0,185 Kg.m.



NO : 94-360
0,130 Kg.m.





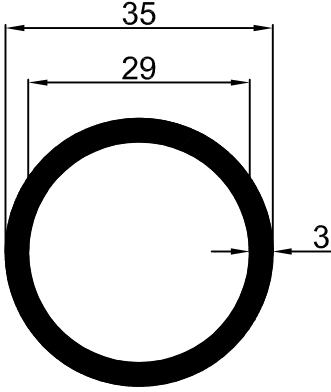
DEMİRTAŞ METAL
ALÜMİNYUM PROFİL SAN. ve TİC. A.Ş.

KÜPEŞTE PROFİLLERİ

HANDRAIL PROFILES

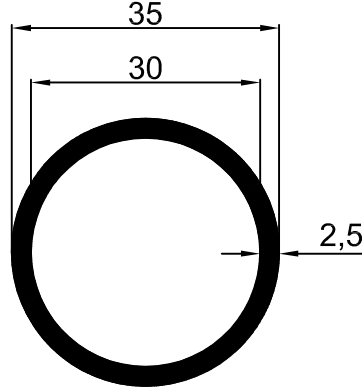
NO : 94-1565

0,815 Kg.m.



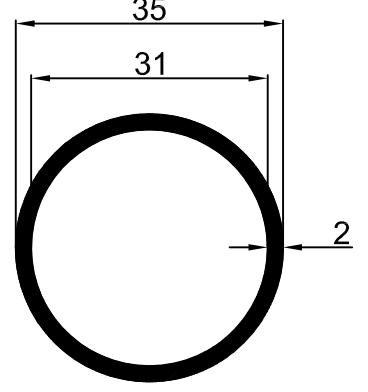
NO :94-2564

0,690 Kg.m.



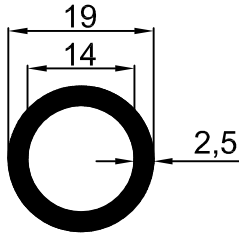
NO :94-2028

0,560 Kg.m.



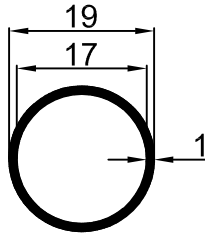
NO :94-700

0,350 Kg.m.



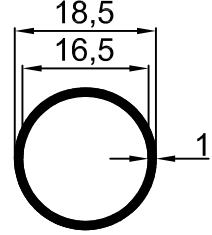
NO : 94-842

0,155 Kg.m.



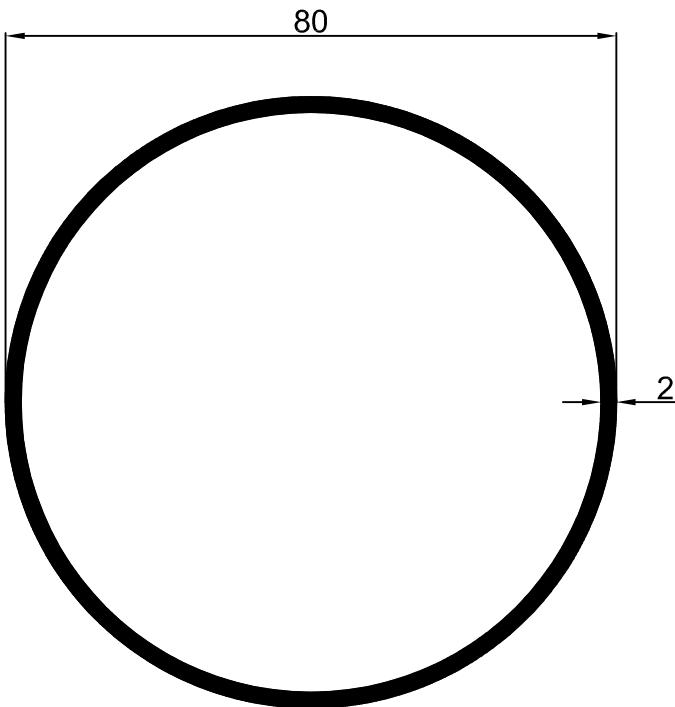
NO :94-2267

0,150 Kg.m.



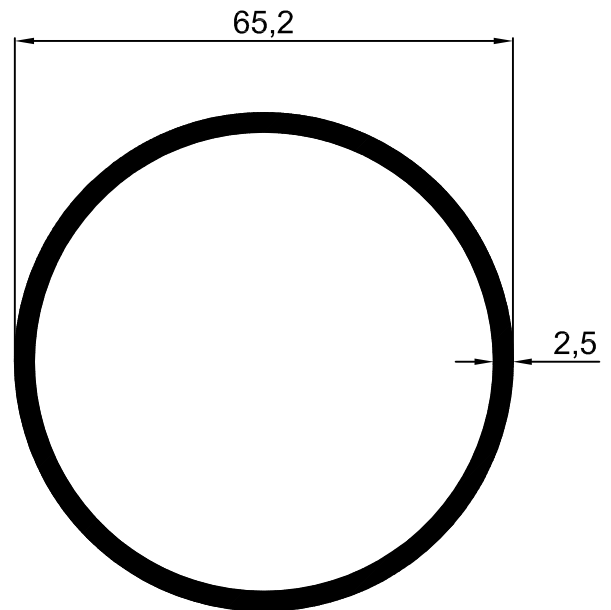
NO :94-2049

1,325 Kg.m.



NO :94-2304

1,330 Kg.m.

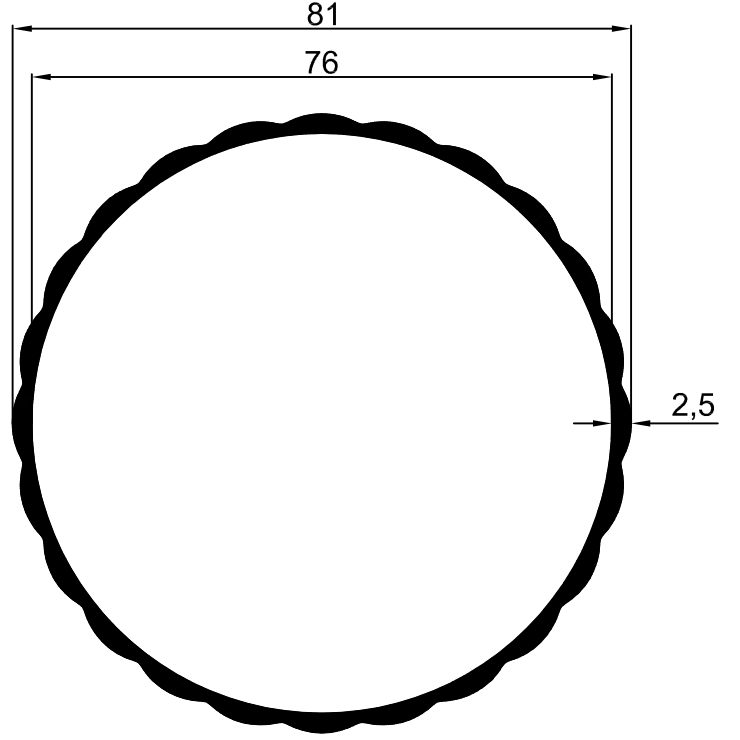
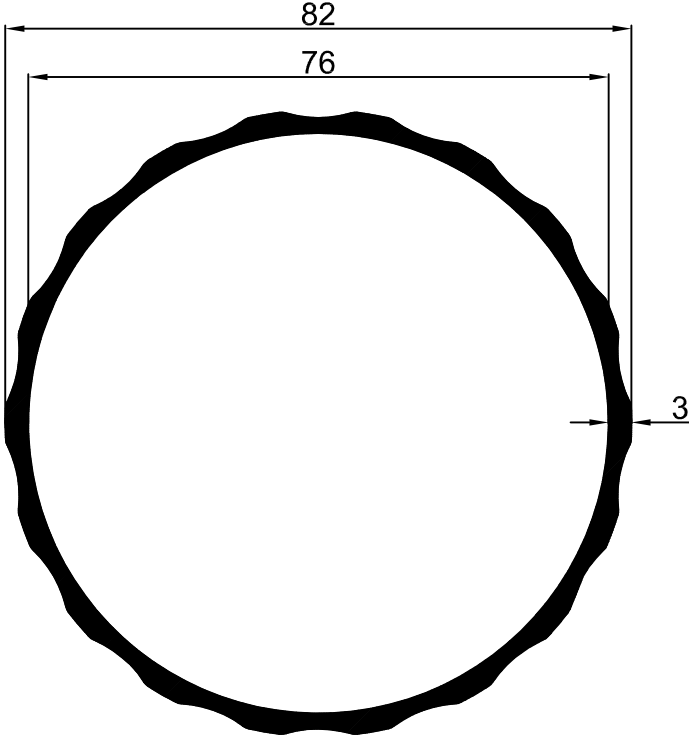


5

S: 1/1

NO :94-2241
1,685 Kg.m.

NO :94-2439
1,410 Kg.m.



NO : 94-1816
1,370 Kg.m.

NO :94-2438
1,100 Kg.m.

